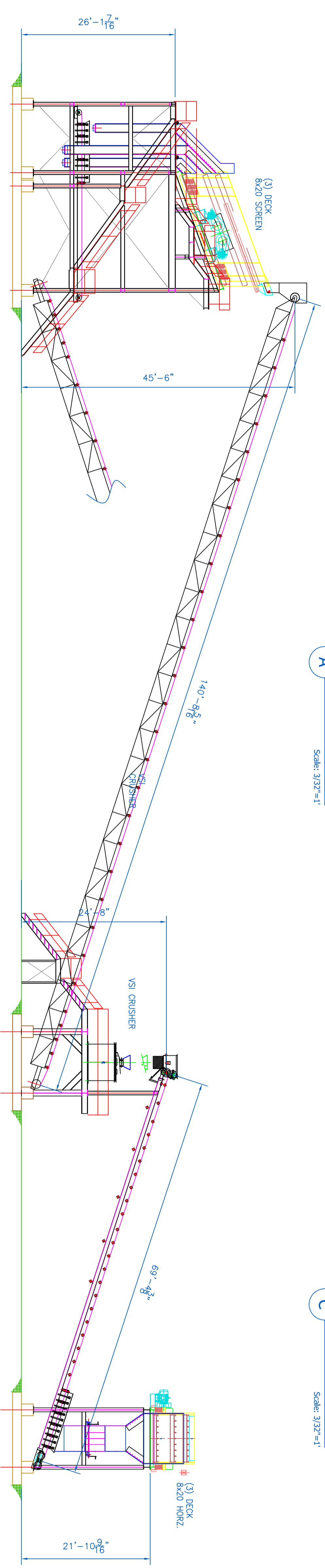
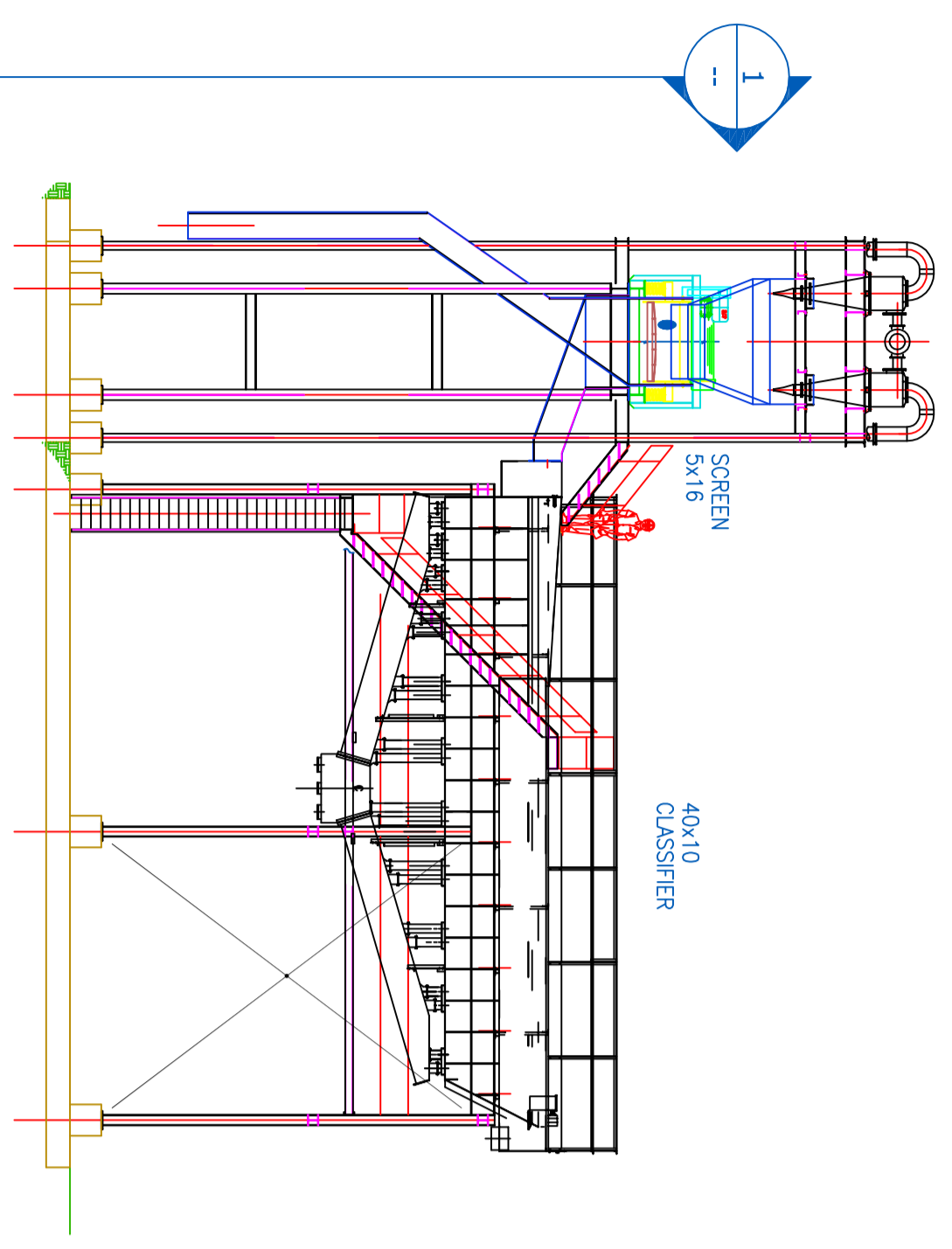


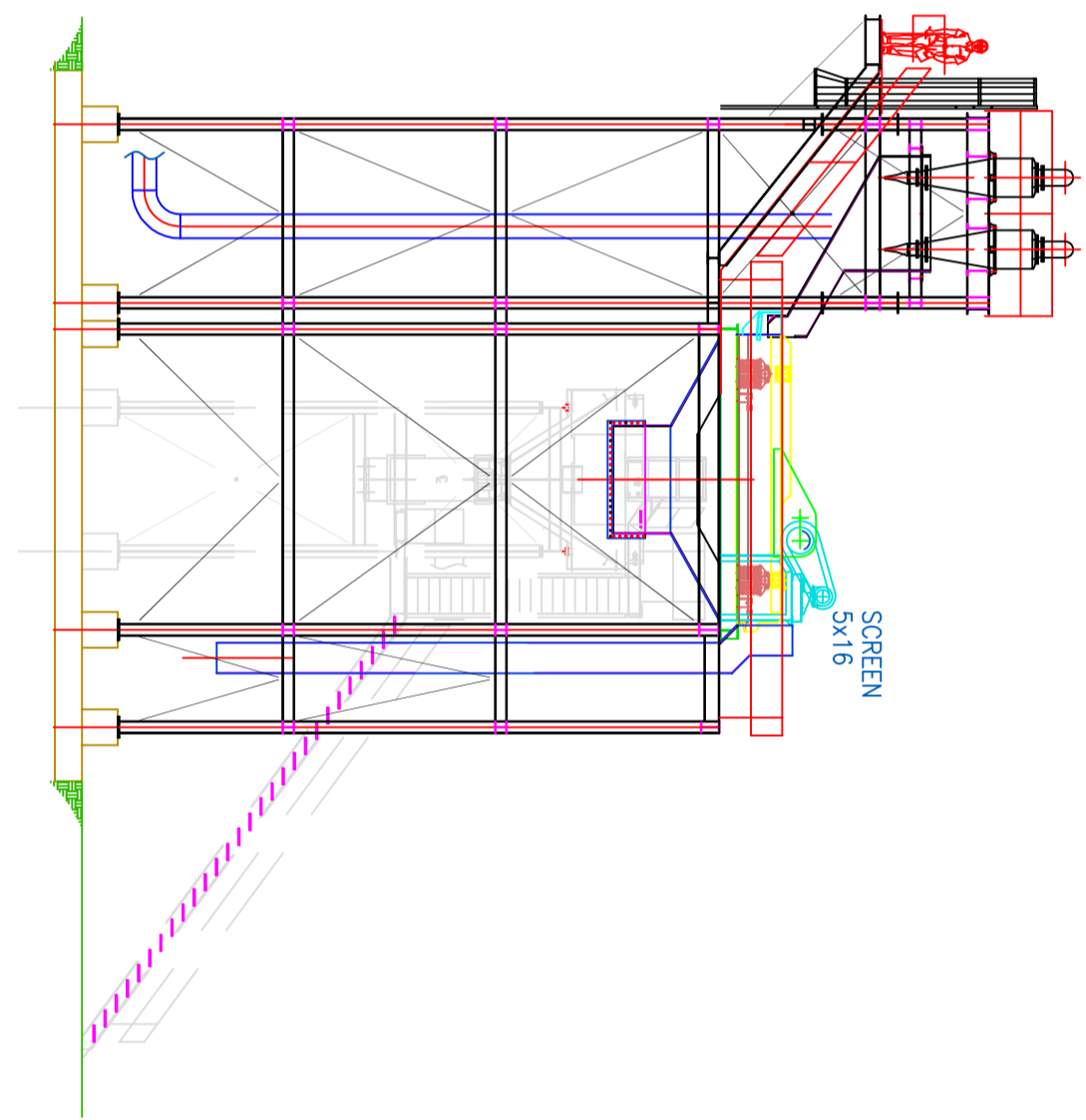
A SECTION VIEW
Scale: 3/32"=1"



B SECTION VIEW
Scale: 3/32"=1"



D SECTION VIEW
Scale: 3/32"=1"



1 SECTION VIEW
Scale: 3/32"=1"

REV.	ISSUE	BY	DATE


FLORIDA PROCESSING MACHINERY, INC.
 Office: (888) 770-1843
 1-800-291-4003
 Fax: (888) 770-0655
 8820 Parkway St., 38811
 Lakeland, FL

THIS DRAWING IS THE PROPERTY OF FLORIDA PROCESSING MACHINERY, INC. IT IS TO BE USED FOR REFERENCE TO WORK ON CONTRACT OR FOR CONSULTATION ONLY. IT SHALL BE KEPT FOR REFERENCE TO WORK ON CONTRACT OR FOR CONSULTATION ONLY. IT SHALL BE KEPT FOR REFERENCE TO WORK ON CONTRACT OR FOR CONSULTATION ONLY.

SCALE	APP. BY	PRINT	DWN. BY	CHK. BY

SCALE	APP. BY	PRINT	DWN. BY	CHK. BY	DWG. NO.	REV.